



ELECTRICAL COMPONENTS

TEEPLUG® Plug and Socket Connectors

- Compact
- Inline & panel mount
 - 2, 3, 4 & 5 poles
 - IP68 / IP69



TEEPLUG[®] Compact Waterproof (NEMA 6P -IP68) Plug-and-Socket Connectors

ITC introduces a new line of very compact, high ingress protection (IP 68) plug-and socket connectors, designed for several applications in the fields of control and automation, signal and power distribution, lighting, etc..

These patented products are manufactured in Italy by TECHNO, using high quality materials and advanced multi-component injection molding processes, which provide high level of protection, reduce the risk of losing or misplacing gaskets, and result in more compact components.

Features:

- Very compact size
- Intended for indoor/outdoor use to provide protection against the entry of water during prolonged submersions at limited depth (NEMA 6P)
- Quick installation, easy maintenance
- Over-molded gaskets/seals cannot be lost or misplaced



Specifications:

- **Type of connection** (insert): screw connection
 - **Insulation strip length:** 8mm (THB.387... - 6mm)
- **Cable type:** UL Listed type TC or TC-ER
- **Wire cross section:** 0.5 - 4.0mm² (12 AWG) stranded and solid
THB.387.B5A.L, THB.387.A5A.L & THB.387.P5A - 0.25 mm² - 1.5 mm²
- **Operating Temperature:** -40 to 125 °C
- **Panel mount thread:** M20 or M25, locknut included
- **Housing colour:** black
- **Housing:** Halogen-free, silicon-free (384/405/406), sulphur free
- Resistant to salt-spray test 5%, 35 °C, 1 hour
- **Material - housing:** PA66, UL94 V0/V2
- **Material - inserts and locknuts:** PA66 GF, UL94 V0
- **Approvals:** cULus E355693

	Ingress Protection	Cable Diameter	Dismantling Length	# Poles	Current	Voltage
THB.384/385	384 - IP66/68 (50m,24h) 385 - IP68 (5m,3h)	7.0 - 12mm	20mm	3 M/F	20A	400V
THB.387	IP66/IP68 (30m, 3h)	7.0 - 13.5mm	25mm	4 & 5 M/F	15A 10A (THB.387.A5A.L & THB.387.B5A)	400V
THB.405/506	IP68 (10m, 1h)	7.0-14.0mm	30mm	3 & 5 M/F	20A	400V

TEEPLUG® TH 405/406 large plug and socket connectors

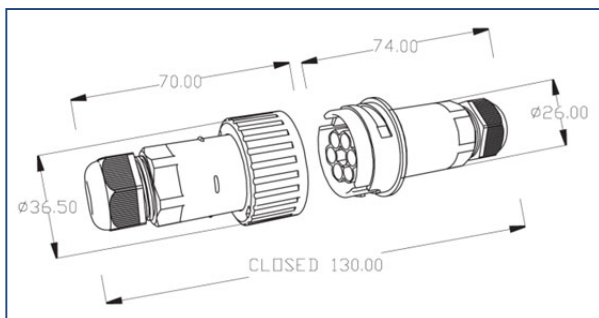
THB.405 / THB.406 Plug-and-socket Connectors (Order by Part No.)

Part No.	Gender # of Poles	Mounting Type	IP	Maximum Current	Maximum Voltage	Pack	
THB.405.A2A*	Male 5 poles	Cable	IP68 (10m,1h)	20A	400V	10	
THB.405.A2B*	Male 3 poles	Cable	IP68 (10m,1h)	20A	400V	10	
THB.405.B2A*	Female 5 poles	Cable	IP68 (10m,1h)	20A	400V	10	
THB.405.B2B*	Female 3 poles	Cable	IP68 (10m,1h)	20A	400V	10	
THB.406.A1A	Male 5 poles	Panel	IP68 (10m,1h)	20A	400V	10	
THB.406.A1B	Male 3 poles	Panel	IP68 (10m,1h)	20A	400V	10	

* Upon request receive a free assembly key with minimum order of 10 of one part of 405 series
 Use of an assembly key is highly recommended - see accessories and spare parts
 Retail packaging available, contact ITC
 Information subject to change without notice

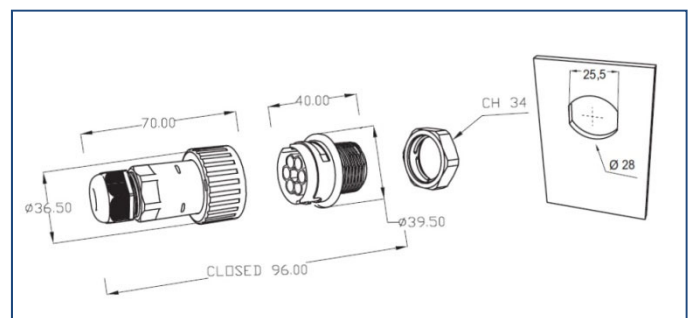


Inline cable to cable installation



All measurements in mm

Panel-mount installation



All measurements in mm

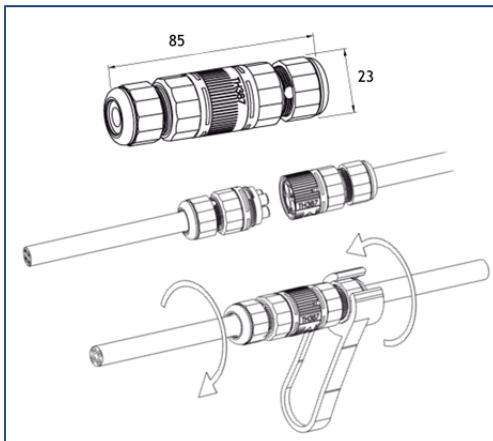
mini-TEEPLUG® TH 384/385 compact plug and socket connectors

THB.384 / THB.385 / THB.387 Plug-and-socket Cable Connectors (Order by Part No.)

	Gender # of Poles	Mounting Type	IP	Maximum Current	Maximum Voltage	Pack	
THB.384.B1A	Female 3 poles	Cable	IP66/68 (50m,24h)	20A	400V	10	
THB.384.A1A	Male 3 poles	Cable	IP66/68 (50m,24h)	20A	400V	10	
THB.387.B4A.L	Female 4 poles	Cable	IP66/68 (3m,3h)	15A	400V	10	
THB.387.A4A.L	Male 4 poles	Cable	IP66/68 (30m,3h)	15A	400V	10	
THB.387.B5A.L	Female 5 poles	Cable	IP66/68 (30m,3h)	10A	400V	10	
THB.387.A5A.L	Male 5 poles	Cable	IP66/68 (30m,3h)	10A	400V	10	

Information subject to change without notice

THB.387 - Inline cable to cable installation



All measurements in mm



THB.384 / THB.385 / THB.387 Plug-and-socket Panel Mounted Connectors (Order by Part No.)

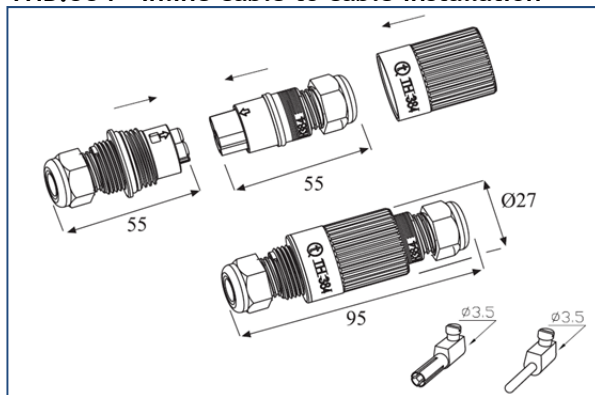
	Gender # of Poles	Mounting Type	IP	Maximum Current	Maximum Voltage	Pack	
THB.385.A1A	Male 3 poles	Panel, M25	IP68 (5m,3h)	20A	400V	10	
THB.385.A3F	Male 3 poles	Panel, M20 Angle	IP68 (5m,3h)	20A	400V	10	
THB.387.P4A	Female 4 poles	Panel, M20	IP66/68 (30m,3h)	15A	400V	10	
THB.387.N4A	Male 4 poles	Panel, M20	IP66/68 (30m,3h)	15A	400V	10	
THB.387.P5A	Female 5 poles	Panel, M20	IP66/68 (30m,3h)	10A	400V	10	
THB.387.N5A	Male 5 poles	Panel, M20	IP66/68 (30m,3h)	10A	400V	10	

Retail packaging available, contact ITC

Use of an assembly key is highly recommended - see accessories and spare parts

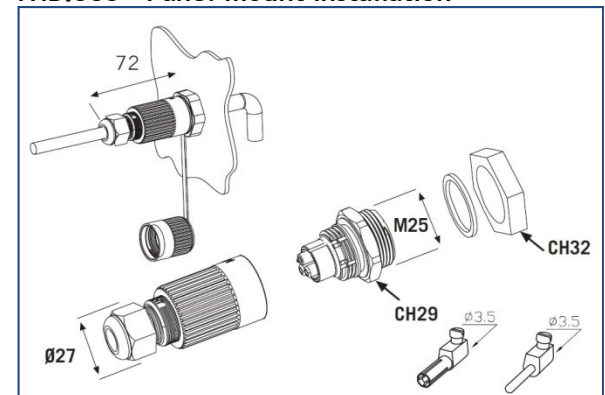
Information subject to change without notice

THB.384 - Inline cable to cable installation



All measurements in mm

THB.385 - Panel-mount installation








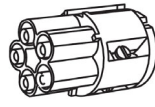
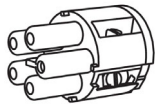
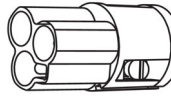
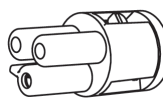



All measurements in mm

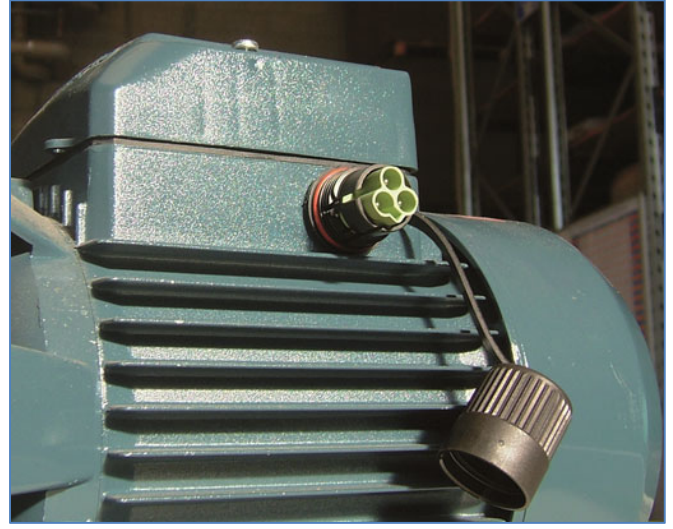
TEEPLUG® Accessories and Spare Parts

Various accessories to complement the TEEPLUG® line.

Plug-and-Socket Accessories (Order by Part No.)

Part No.	Number of Poles	Description	Pack	
TH600009600	5	Assembly Key for 405 type inserts - 5 poles; black	1	
TH6000012200	3	Assembly Key for 405 type inserts - 3 poles; black	1	
TH6DB00200C	n/a	Cap with tether, black, for TEEPLUG® TH384 series	10	
TH6DB00900C	n/a	Cap with tether, black, for TEEPLUG® TH405 series	10	
TH6DB01580C	n/a	Cap with tether, black, for TEEPLUG® TH385 series	10	
TH6DB021900	4/5 Male	Cap with tether, black, for TEEPLUG® TH387 male series	10	
TH6DB023400	4/5 Female	Cap with tether, black, for TEEPLUG® TH387 female series	10	
THB.022.A5A.AG	5	TEEPLUG® 5 pole screw MALE insert only; Use with 405.A2A / 406.A1A Colour: Natural	10	
THB.022.B5A.AG	5	TEEPLUG® 5 pole screw FEMALE insert only; Use with 405.B2A Colour: Natural	10	
THB.023.A3B.AG	3	TEEPLUG® 3 pole screw MALE insert only; Use with 405.A2A / 406.A1A Colour: Natural	10	
THB.023.B3B.AG	3	TEEPLUG® 3 pole screw FEMALE insert only; Use with 405.B2B Colour: Natural	10	
TH6000337BC	n/a	TEEPLUG® plastic gland wrench; fits both TH 384 and TH 405 series	1	

Information subject to change without notice





ELECTRICAL COMPONENTS

(416) 663-7223

www.itcproducts.com

50 Mural St Unit #8M,
Richmond Hill, ON L4B 1E4



DIN Rail



DIN Rail Accessories



Non-Metallic Enclosures



Hinged Enclosures



Thermal Management



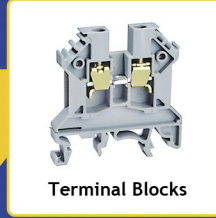
PANEL Lighting



Multipole Connectors



Compact IP68 Connectors



Terminal Blocks



Terminal Strips



22.5mm Pushbuttons



LED Indicators



Control Stations



Limit Switches



Micro Limit Switches



Safety Switches



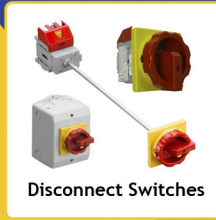
Foot Switches



Circuit Breakers



IEC Contactors



Disconnect Switches



Midget and CC Fuse Holders



Tower Lights



Power Continuity



Ferrules



Colour Coded Lugs



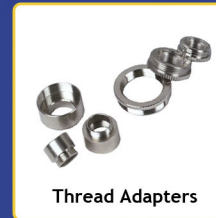
Crimp Terminals



Termination Kits



Cable Glands



Thread Adapters



Cable Entry Systems



Wire Management



DIN Rail Cutters



Assembly Tables



Cutting & Stripping



Crimping Tools



Hole Cutting & Punching Tools

SOME OF OUR MANUFACTURING PARTNERS

bimed

elspelsberg

DSE



COMPEPI



TEKNIC

DETASULTRA

sontheimer